

M3

ASIC MINING CONTAINER

ASIC mining shipping containers or bitcoin mining containers are designed and built to maximize productivity and profitability for crypto and bitcoin mining. The bitcoin mining container you are looking for.

What's included in our ASIC mining container?

standard containers are supplied with 16 PDU's (PDR-63)

powering the miners with standard C19 plugs

large cold air inlet, hot air outlet

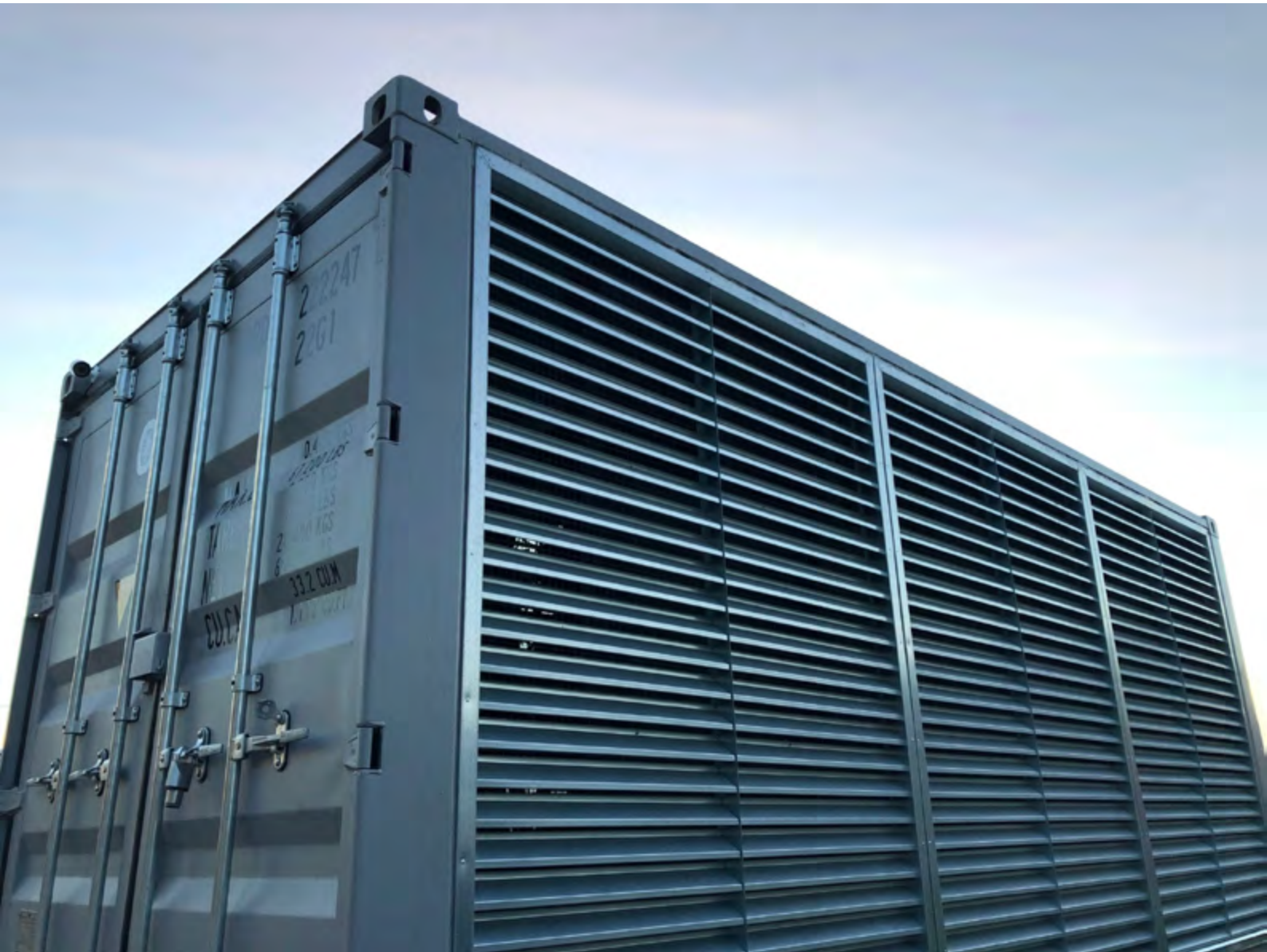
big G4/M7 air filter section

cold/warm aisle

CSC sea freight certified

cooling using ASIC miner fans

Standard size: 2.43 x 2.59 x 6.06 m (regular 20ft DC shipping container)



M3

ASIC MINING CONTAINER



KEY FEATURES

Clean and high quality design

Housed in a single 20ft ISO freight container frame with galvanized acoustic louvers.

Shipped as a single unit

No hassle, just a single unit to handle it all. Differing for each location, keeping the unit mobile might also have a positive effect on building permits and other legislation.

Plug and play

Offering a plug-and-play solution not only ensures easy installation but also enables a quick go-live process.

Scalable deployment

Our modular approach allows cost savings in both capital and operational expenses, accelerating business growth. M-LINE is designed with scalability in mind, enabling integration with future deployments. Expanding your data center in a later stage is an option without the need for system interruption or difficulties. Just add more M3 containers and you can build as your business grows.

Profitable mining

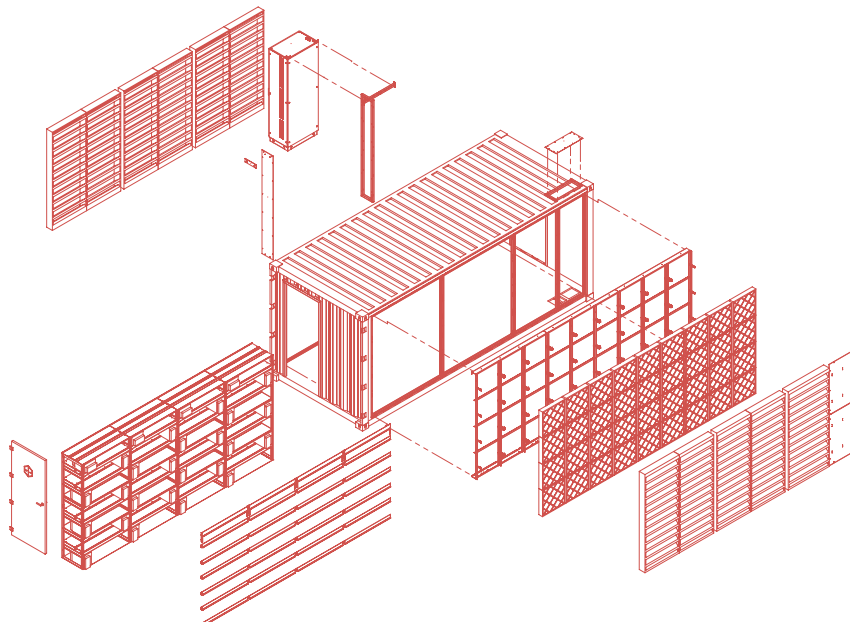
Space for 150 to 300 miners

Fast deployment

Standard models ready to be delivered in 8 to 10 weeks.

High end electrics & materials

The use of premium brands ensures that our products meet the highest standards of performance and reliability, providing our customers peace of mind.



M3

ASIC MINING CONTAINER



INSIDE

- 1 PDU with 12 C19 plugs
- 2 Adjustable shelves for miners
- 3 Optional service: miner purchase + shipment
- 4 Patch cabinet network connection
- 5 Electrical cabinet up to 750KW
- 6 Air filtration rack with aluminium or cardboard filters
- 7 Swappable AIR filters



OUTSIDE

- 1 Galvanized and/or acoustic louvers
- 2 Reinforced ISO freight 20ft container frame
- 3 Camera security (optional)
- 4 Standard container door; Other options possible
- 5 UL certification
- 6 Smart locks (optional)

M3

ASIC MINING CONTAINER

ASIC RACK

holds space for 160 (S19 form factor) miners
integrated cable gutter
- 16 x Power Distribution Unit (PDU)
rated for 63A
12 x C19 plugs (IEC16A)
protection on each plug
optional integrated switch

ELECTRICAL POWER

- Power cabinet
1250A power
400V/230V ; 3-phase + N
Schneider 1250A switch disconnecter
16 x Schneider NSXm 63-80A MCB
Max. 750kW

FILTRATION RACK

Allowing for maximal filtration surface in any custom setup.

- 1 module: 2.38 x 1.874 m
- 3 modules in 1 standard M3/M3c = 110 m³/h
- 1 module holds 12 filters
- fast filter placement / replacement
- clamps that hold the filters in place tightly
- seals for air tightness
- filters
- cardboard or aluminium panelfilter: 594 x 594 x 95 mm
- aluminium filters to withstand cold/wet conditions

M3

ASIC MINING CONTAINER

CONTAINER HOUSING

- standard design: 20ft reinforced container frame
 - CSC freight certified
 - walkthrough hallway with connecting doors
 - large galvanized louvres
 - room for cooling options
 - size: 2.43 x 2.59 x 6.06 m
- upon request:
 - 10ft, 13.5ft, 40ft, 45ft highcube
 - other sizes, different heights, lengths, widths possible

OPTIONAL EXTRAS / SECURITY

- acoustic louvers
- branding, colors
- flooring options
- doors, locks
- camera's, security
- electrical upgrades
- monitoring
- smart PDUs

M3c

CONNECTED CONTAINER

Kontena's M3c - connectable containers combine the quality of our M3 Mining containers with the advantages of a brick and mortar mining farm. The use of our M3c frees you from the constraints of a fixed building. This models are scalable, easy to install and allow portability. The M3c ecosystem consists of container modules that can be stacked and interconnected. The containers are building blocks that allow you to build your mining farm in a flexible manner.

CREATE YOUR OWN CONFIGURATION

It allows you a variety of options: stack and connect the M3c's to make the structure you need. We can add utility containers, internal staircases, working spaces or additional entrance atriums.

Scale up when your business grows by connecting more containers to the structure.

The M3c saves you a lot of space in comparison to the use of individual unconnected containers. No need to allocate precious land space for opening individual container doors.

OPERATIONAL FREEDOM

Your farm is disconnectable and thus easily moveable. The M3c containers can be installed in any environment with available power and suitable connectivity. You have the freedom to transfer it wherever you like, whenever you like.

The M3c can also be applied inside of a building, no need to do elaborate engineering, structural work or complicated designs.



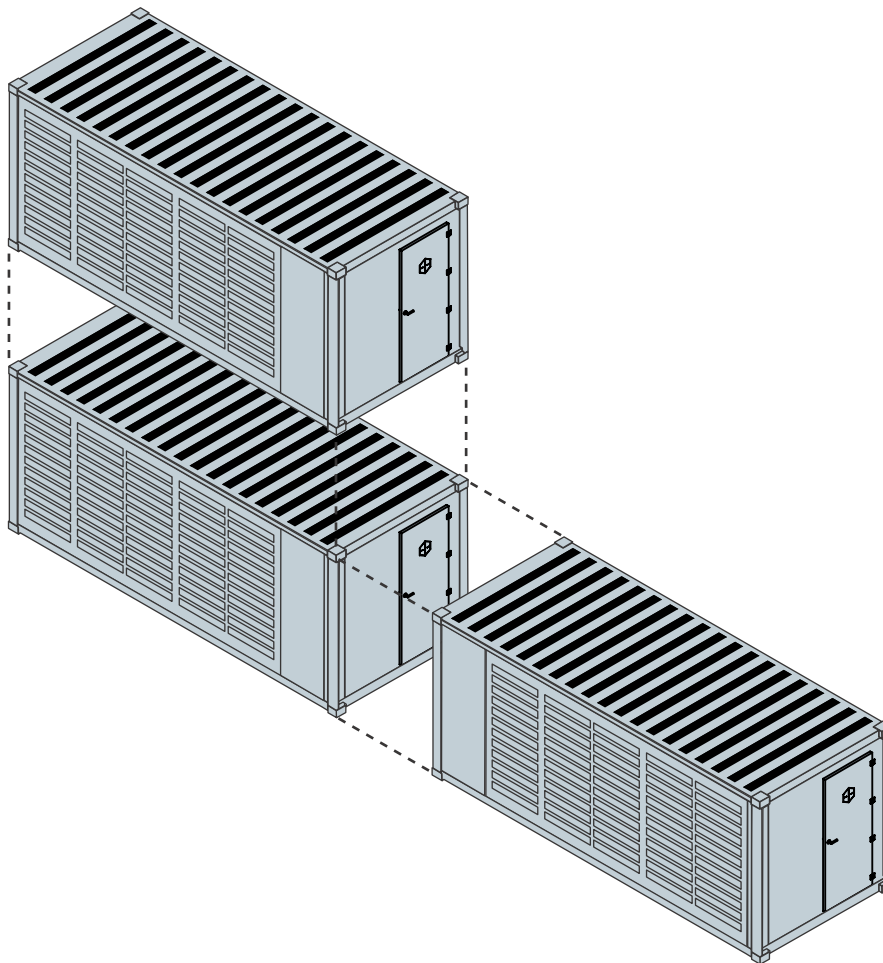
M3c

CONNECTED CONTAINER

What's included in our ASIC mining container?

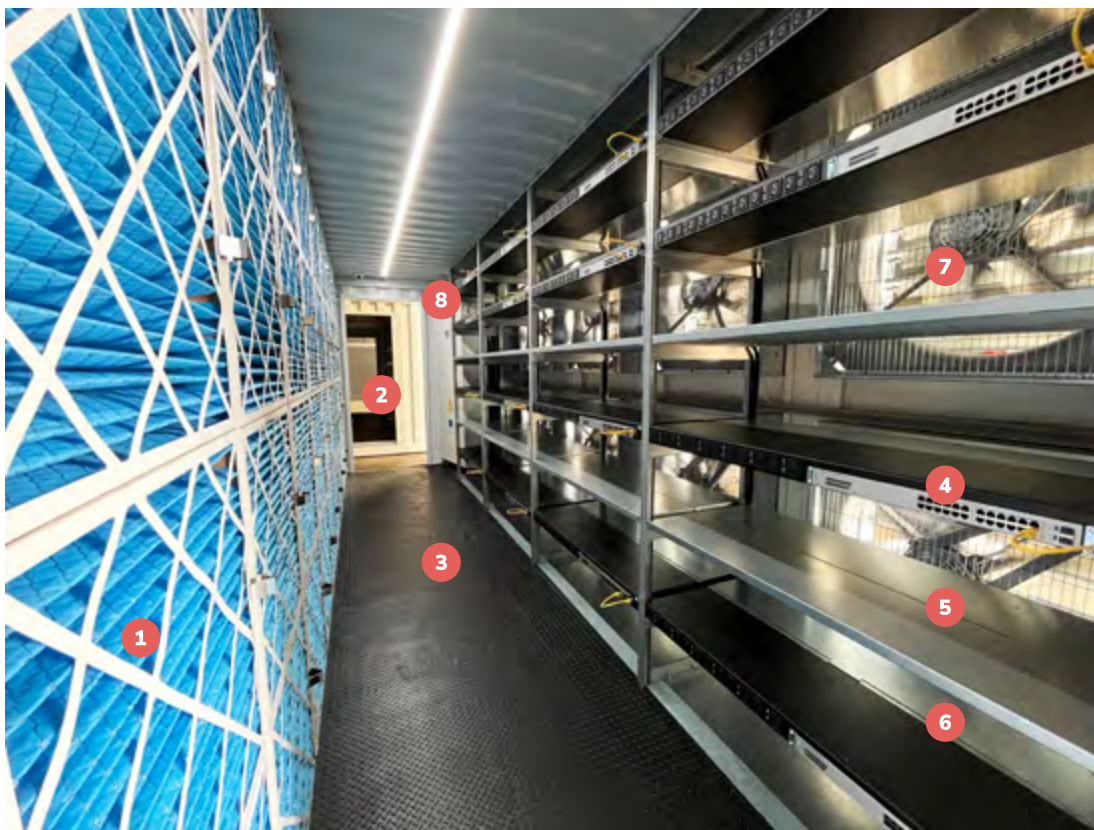
- racks and shelves for e.g. 160 S19 form factors
- standard containers are supplied with 16 PDU's (PDR-63)
- powering the miners is done with standard C19
- large cold air inlet, hot air outlet
- big G4/M7 air filter section
- cold/warm aisle
- CSC sea freight certified
- cooling using ASIC miner fans

Size: 2.43 x 2.59 x 6.06 m (regular 20ft DC shipping container)



M3c

CONNECTED CONTAINER



INSIDE

- 1** Filtration rack
Replaceable filters
- 2** Walkthrough hallway
with connecting doors
- 3** Rubber antislip floor
Different options possible
- 4** PDU
- 5** Miner shelves
- 6** Cable gutter
- 7** Fans
- 8** Electrical cabinet

ASIC RACK

holds space for 160 S19 form factor miners
integrated cable gutter
16 x PDU (PDR63A)
rated for 63A
12 x C19 plugs (IEC16A)
protection on each plug
optional integrated switch

ELECTRICAL POWER

1250A power
400V/230V ; 3-phase + N
Schneider 1250A switch disconnecter
16 x Schneider NSXm 63-80A MCB
Max. 750kW

FILTRATION RACK

Allowing for maximal filtration surface in any custom setup.

- 1 module: 2.38 x 1.874 m
 - 3 modules in 1 standard M3/M3c = 110 m³/h
 - 1 module holds 12 filters
- filters
 - cardboard or aluminium panelfilter: 594 x 594 x 95 mm
 - aluminium filters to withstand cold/wet conditions
 - fast filter placement / replacement
 - clamps that hold the filters in place tightly
 - seals for air tightness

M3c

CONNECTED CONTAINER

HOUSING

standard design: 20ft reinforced container frame
CSC freight certified
large galvanized louvres
room for cooling options
size: 2.43 x 2.59 x 6.06 m

upon request:
10ft, 40ft
other sizes, different heights, lengths, widths

OPTIONAL EXTRAS

branding, color of the container
flooring options: wood, rubber, ESD
doors & (smart) locks
camera's, security

M3+

40FT HIGH CUBE MINING CONTAINER

The M3+ container is our big container design. This 40ft high cube can house up to 368 S19 form factor miners. It comes with the same features as the M3 container, with built-in PDU racks, power cabinets and network switches. With a possibility to add fans or adiabatic cooling, to provide extra airflow and cooling.

M3+ main features

Container housing

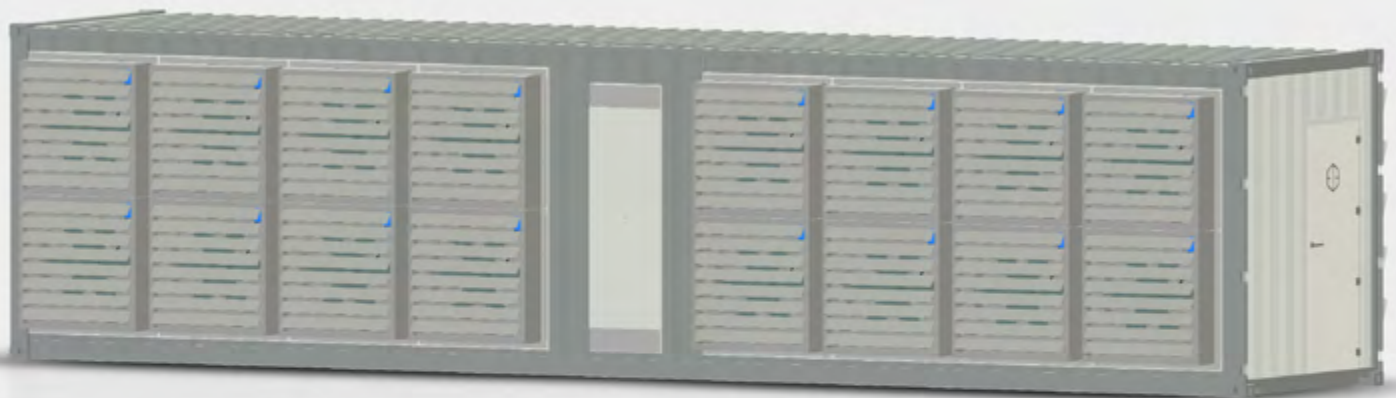
40 ft high cube container WxHxL: 2.35 x 2.69 x 12.03 m
racks and shelves for e.g. 368 S19 form factor miners
CSC sea freight certified
cold/warm aisle

Electrics

2 power cabinets
standard containers are supplied with 32 PDU's (PDR-63)
powering the miners is done with standard C19

Cooling

large cold air inlet, hot air outlet
big G4/M7 air filter section
optional: 16 air cooling fans for added air circulation
optional: air filtration caps for bigger filtration surface



M3+

40FT HIGH CUBE MINING CONTAINER



KEY FEATURES

Clean and high quality design

Housed in a single 40ft high cube ISO freight container frame with galvanized acoustic louvers.

Shipped as a single unit

No hassle, just a single unit to handle it all. Differing for each location, keeping the unit mobile might also have a positive effect on building permits and other legislation.

Plug and play

Offering a plug-and-play solution not only ensures easy installation but also enables a quick go-live process.

Profitable mining

Space for up to 368 miners

Fast deployment

Standard models ready to be delivered in 12 weeks.

High end electrics

